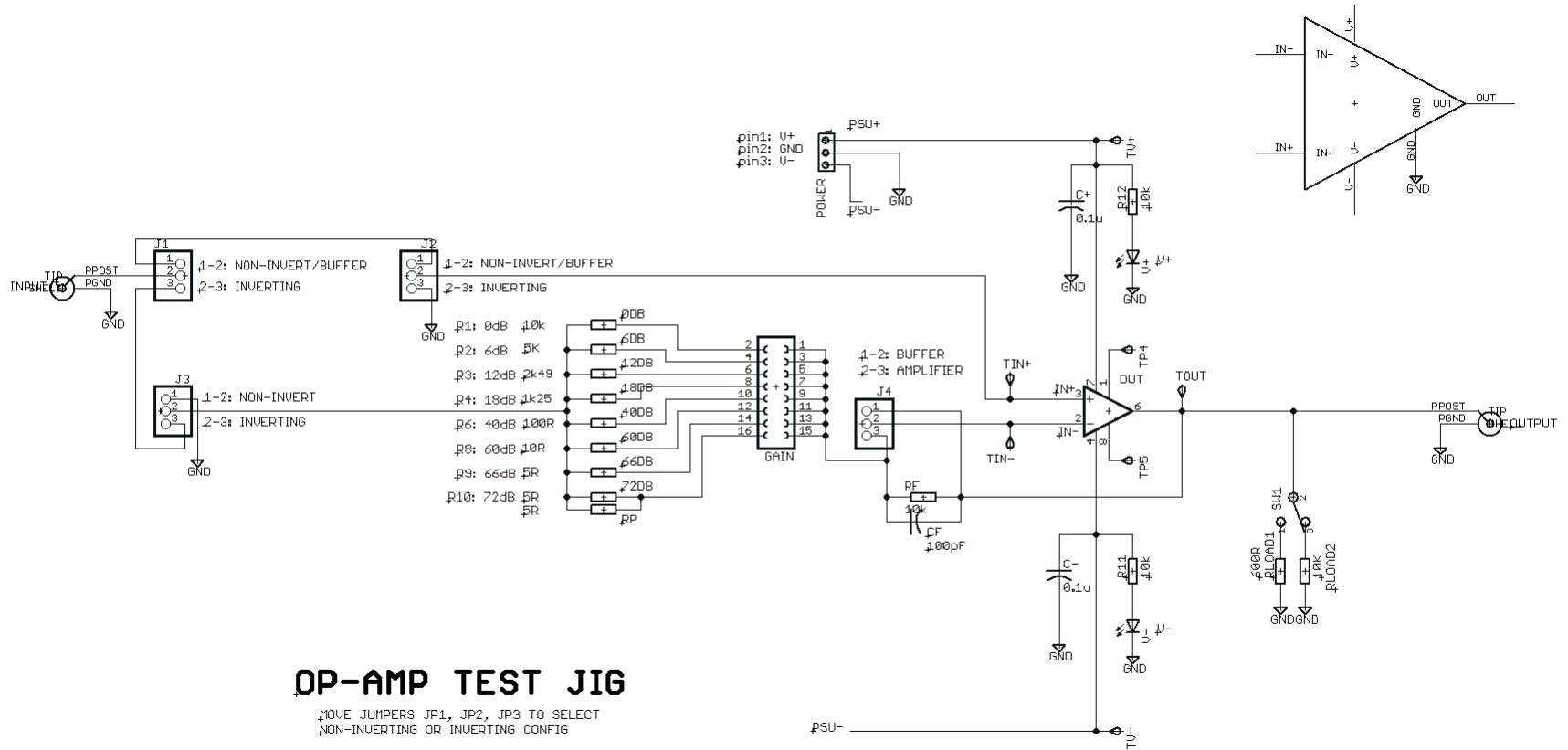
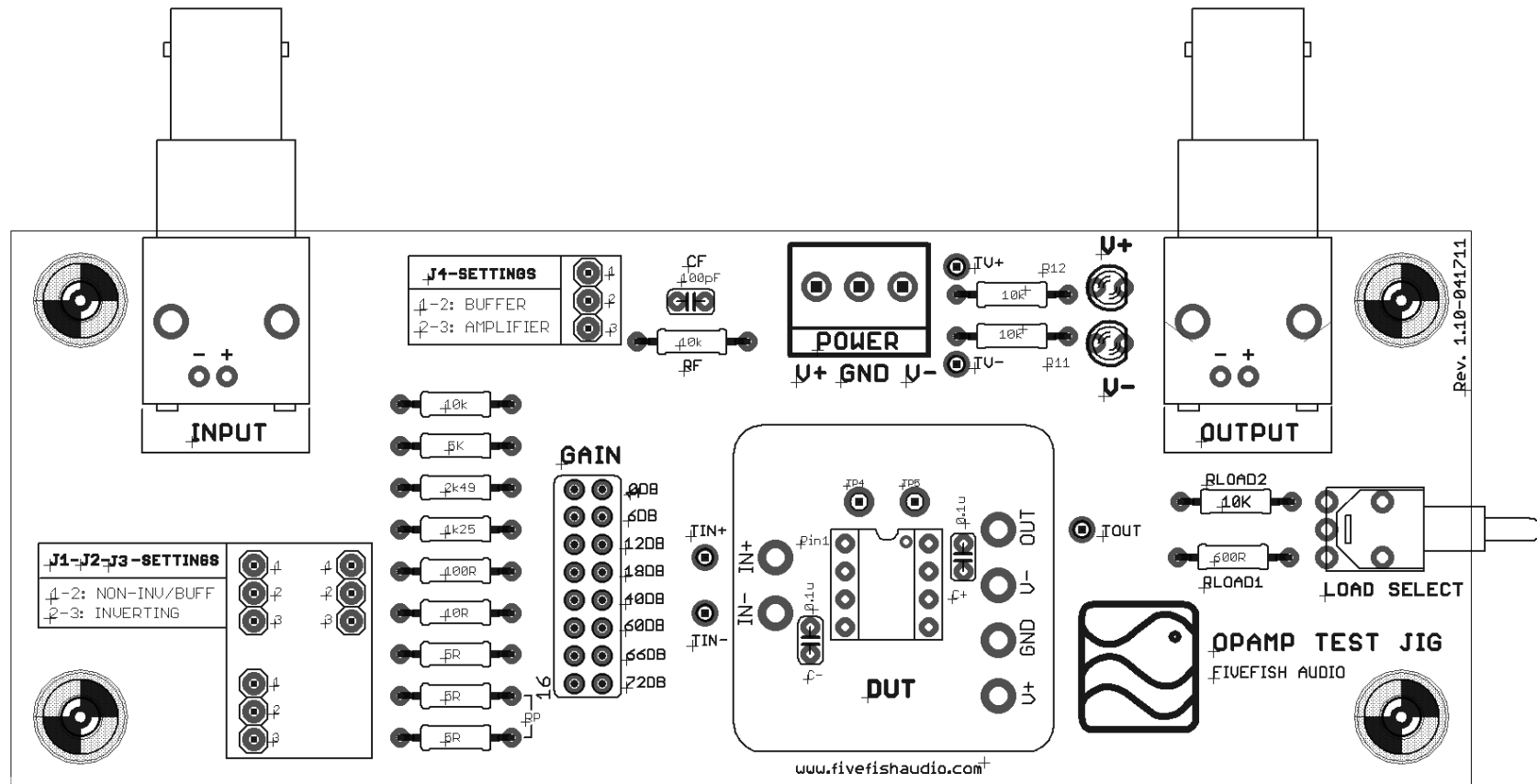


SCHEMATIC DIAGRAM



Correction: Invert LED polarity for V- indicator when mounting LED on the PCB.

COMPONENT LAYOUT



PARTS LIST

(Suggested values & part#s - you may also use compatible parts with a different part#)

571-5227677-1	2	BNC PCB, Rt Angle TE Conn.
649-68001-104HLF	4	1x4 header
649-67997-108HLF	2	2x4 header
151-8013-E	5	jumper
108-2MS3T2B2M6QE-EVX	1	SPDT Switch Mount
575-034421915	6	Mill Max sockets
517-4808-3004-CP	1	8P IC Socket
80-C320C104K1R	2	0.1uf 100V
81-RCE5C1H101J0A2H3B	1	100pf 50V
859-LTL1CHKGKNN	2	LEDs
271-10K-RC	5	10K 1/4W
271-604-RC	1	604R 1/4W
71-CMF075K0000JNEK	1	5K 1/4W
271-2.49K-RC	1	2K49 1/4W
71-RN60D1251F	1	1K25 1/4W
271-100-RC	1	100R 1/4W
271-10-RC	1	10R 1/4W
660-CFS1/4CT52R5R1J	3	5R1 1/4W
534-8714	4	PCB Standoffs

Feel free to use your own values for resistor RF, and the resistor gain ladder (See schematic) for your own purpose. Use the appropriate OpAmp Gain formula for either Non-Inverting or Inverting Stage.